



Worcester 13/14 Series 3-Way Ball Valves

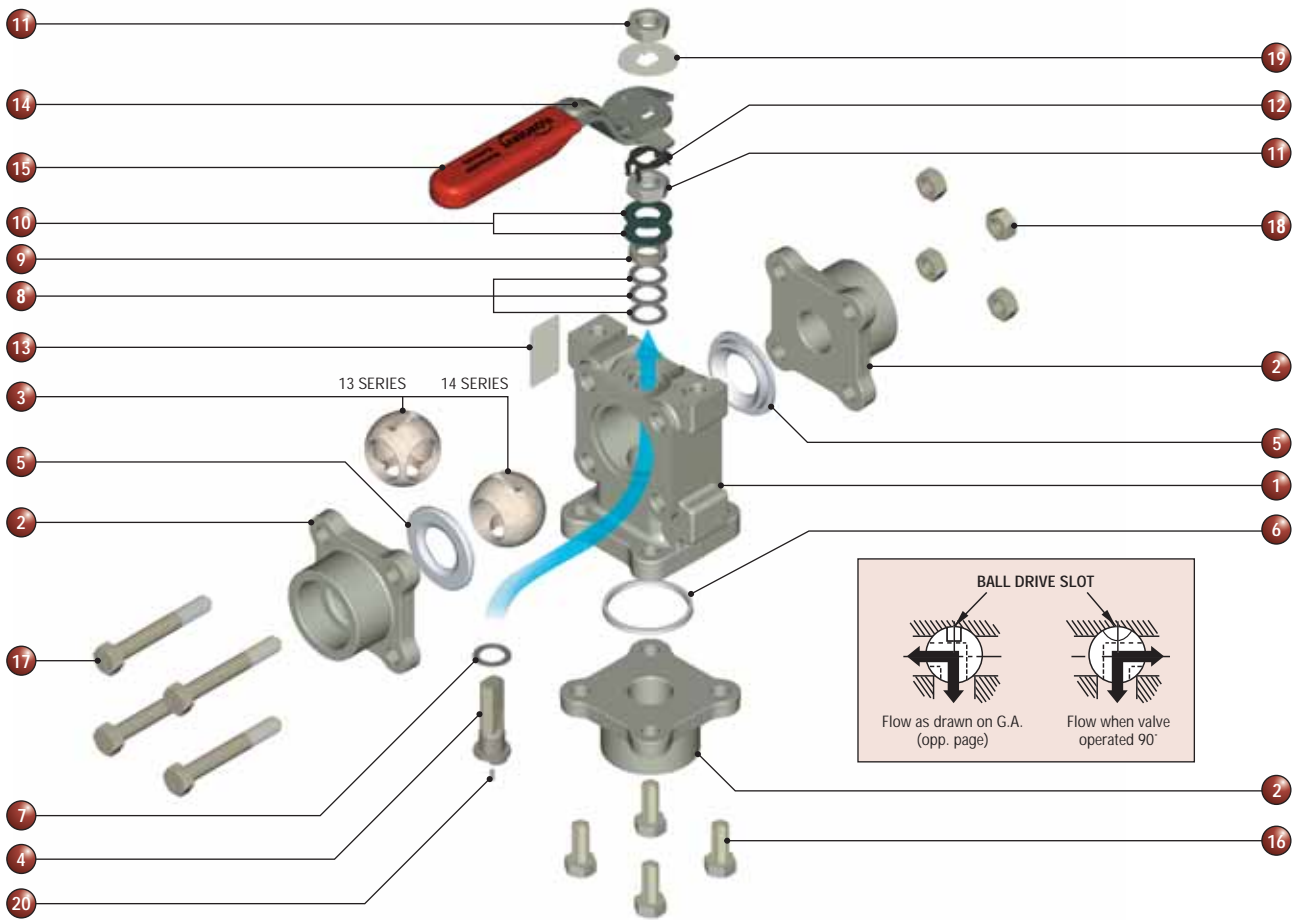


Experience In Motion

Features

• Foolproof stem assembly to ball	• External indication of flow
• Mounting platform on valve body	• Improved stem cycle life
• Wafer design	• Ease of maintenance
• Extensive range of seat materials	• For greater pressure/temperature capability
• Ball/seat design options	• Versatility to simplify process systems
• Proven seat/seal design	• For long life integrity

Benefits



Parts / Materials List

NOTE: Drawings shows bottom entry design with integral body seat/seal.

ITEM	DESCRIPTION	MATERIAL	ITEM	DESCRIPTION	MATERIAL
1	Body	Stainless Steel ASTM A351 CF8M (UNS J92900) Carbon Steel ASTM A216 WCB (UNS J03002)	10	Disc Spring	Stainless Steel
2	Body Connector	Stainless Steel ASTM A351 CF3M (UNS J92800) or ASTM A182 F316L (UNS S31603) or ASTM A351 CF8M (UNS J92900) Carbon Steel ASTM A105 (UNS K03504)	11	Wrench / Gland Nut	Stainless Steel
3	Ball	Stainless Steel ASTM A479 316 (UNS S31600)	12	Gland Nut Locking Clip	Carbon Spring Steel Rustproofed
4	Stem	Stainless Steel AISI Type 316	13	Identification Plate	Stainless Steel
5	Seat Ring / Seal	PTFE Virgin / 15% Glass Filled	14	Wrench (See Note 3)	Carbon Steel Rustproofed / Stainless Steel
6	Body Connector Seal	PTFE Virgin	15	Wrench Sleeve	Vinyl Plastisol
7	Stem Thrust Seal	PTFE 35% Carbon Filled	16	Body Connector Screw	Carbon Steel / Stainless Steel
8	Gland Packing	PTFE 35% Carbon Filled	17	Body Connector Bolt	Carbon Steel / Stainless Steel
9	Gland	Stainless Steel	18	Body Connector Nut	Carbon Steel / Stainless Steel
			19	Flow Indicator	Stainless Steel
			20	Location Pin	Stainless Steel

Flowserve's 13 and 14 Series were developed from Worcester's highly successful Series 44 three-piece ball valve in direct response to customer requirements to simplify process systems by replacing two valves with one.

The 13 and 14 Series comprises a number of variants which provide a range of operational solutions, as well as a variety of component materials for even greater flexibility.

OPERATION (13 and 14) The Series 13 requires a conventional 90° valve operation to change flow direction. However, during this operation all three ports are open and therefore mixing of media can occur.

The Series 14 requires a 180° operation to change flow direction and at 90° both ports are shut providing full isolation of the media. Mixing of the media will not occur during operation.

THREE WAY VALVES (T13 and T14) These valves use a combined seat and body seal enabling the valve to upstream seal and hold back media on one side of the valve whilst media flows through the other port. This provides greater application flexibility than the diverter valve.

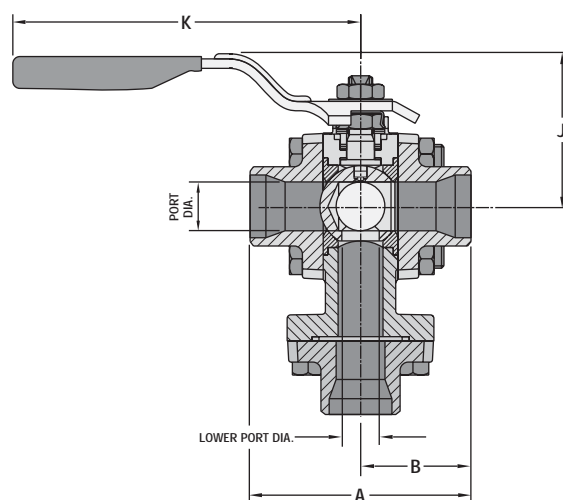
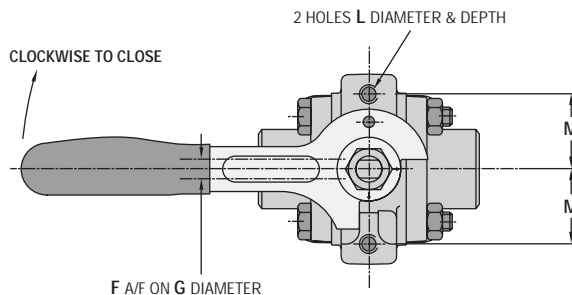
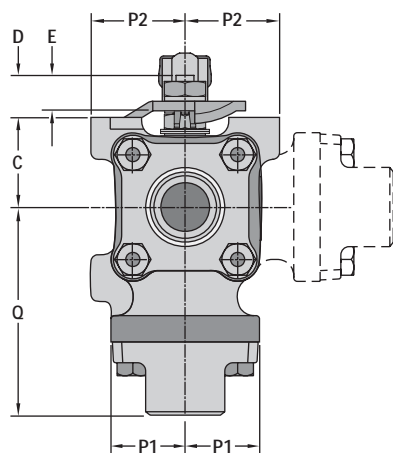
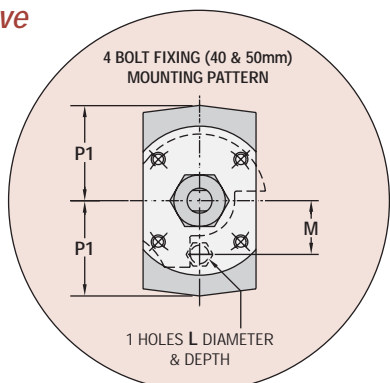
DIVERTER VALVES (D13 and D14) These are designed to divert media from the inlet port (side or bottom) to either of the two outlet ports. Standard Worcester seat/seal variants can be used with this design.

PORTING CONFIGURATIONS The standard 13 and 14 Series have the third port on the bottom of the valve (identified with the letter A in the coding e.g. AD13). However the valves can be supplied with the third port on the side (SD13) but it should be noted that this option is only available with the Series 13 (90° operation).

VARIATIONS The 13 and 14 Series are available as full-bore using a B in the product coding e.g. BAT13. The valve can also be provided as firesafe (externally only) to BS6755 Part2.



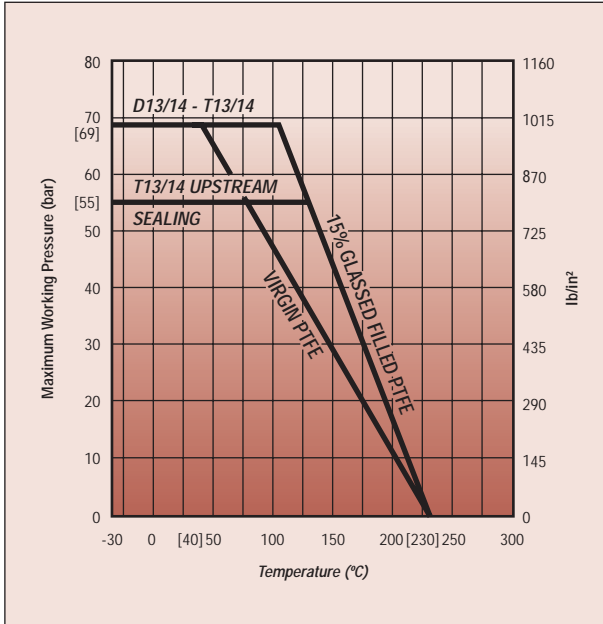
T13 Valve



Dimensions (mm)

Valve Size	Port Ø Min.	Lower Port Ø Min.	A	B	C	D	E	STEM		J	K	L THREAD & DEPTH	M	P1	P2	Q	MOUNTING PLATFORM (ISO 5211)		WEIGHT (Kg)	
								F A/F	G THREAD								ISO SIZE	MOUNTING HOLES		PLATFORM RECESS
20	14.0	11.0	71.81 70.09	35.48	29.1 28.9	11.68 11.04	10.69 10.19	5.54 5.46	3/8"-24 UNF	60.3	136.0	M6 x1.0p 9.5 MIN	27.0	27.2	33.4	71.6 70.0			1.3	
25	20.4	15.75	94.55 92.82	46.84	38.1 37.9	17.94 17.16	15.19 14.69	7.54 7.47	7/16"-20 UNF	64.8	149.0	M8 x1.25p 9.7 MIN	31.75	32.7	40.5	89.0 87.4			2.4	
40	31.3	25.27	115.41 113.69	57.28	44.0 43.75	29.55 28.73	18.39 17.89	8.71 8.64	9/16"-18 UNF	77.9	181.0	M6 x1.0p 7.5 MIN	23.0	42.3	46.6	105.3 103.7	F05	4 OFF M6 x1.0p x8.7 DEEP MIN ON 50.0 P.C.D.	Ø 35.15 / 35.02 x4.01 / 3.26 DEEP	4.6
50	37.7	31.62	127.94 126.21	63.54	48.75 48.50	29.55 28.73	18.39 17.89	8.71 8.64	9/16"-18 UNF	82.6	181.0	M6 x1.0p 8.7 MIN	23.0	47.4	51.4	114.0 112.4	F05	4 OFF M6 x1.0p x8.7 DEEP MIN ON 50.0 P.C.D.	Ø 35.15 / 35.02 x4.01 / 3.26 DEEP	6.4

Pressure Temperature Ratings



How to order Worcester Valves and other Worcester products

Please order Worcester Valves and other products by description, not by part number. We need a precise description of the valve you require. We will then translate this information into our own coding for order processing and production. Please state the despatch address and desired date of delivery.



Side entry ST13 mounted with Norbro 40R pneumatic actuator.



T13 three-way valve with Norbro Series 75 electric actuator.

Notes

- Both 90° and 180° can be actuated pneumatically or electrically.
- With 180° variant, a two piece wrench is required.
- All weld end valves are assembled with Buna 'O' ring body connector seals with the correct body seals supplied loose.
- Alternative seat/seal materials are available.
- Installation, Operating and Maintenance Instructions are available on request.
- Valves are reduced bore as standard. Full bore versions are also available.

Standards of Compliance

Butt Weld Valves	Weld Preparation: SCH 40 & 10: BS 2633 suitable for Schedule Pipe to BS 1600
Socket Weld Valves	Prepared for assembly to plain end pipe in accordance with BS 1600
Screwed Valves	Thread Specification: NPT ANSI B1.20.1 BSP Taper - BS EN 10226 BSP Parallel - ISO 228/1
Pressure Test Specification	BS EN 12266 : Part 1
Quality Assurance	BS EN ISO 9001 : 2000

Flow Coefficients

Valve Size		Flow Coefficients	
mm	in	Cv	Kv
8 - 25	¼ - ¾	5	4
25	1	10	9
40	1½	24	21
50	2	36	31

Cv – Flow in US GPM Pressure – psi
Kv – Flow in M³/hr Pressure – bar

FCD WCEBR0001-01 Printed in UK. (Replaces PB02 Rev 10/03)

Due to continuous development of our product range, we reserve the right to alter the dimensions and information contained in this leaflet as required. Information given in this leaflet is made in good faith and based upon specific testing but does not, however, constitute a guarantee.



Flowserve Flow Control (UK) Ltd.
Worcester Controls
Burrell Road, Haywards Heath
West Sussex RH16 1TL
United Kingdom
Telephone: +44 (0)1444 314400
Telefax: +44 (0)1444 314401
Email: wvukinfo@flowserve.com